



ALPHA

ENGINE

| | |
|---------------------|------------------------------|
| Make | : PERKINS |
| Type | : 1 104D-44TA Diesel Engine |
| Number of Cylinders | : 4 in line |
| Bore & Stroke | : 105 x 127 mm |
| Displacement | : 4400 cc |
| Maximum Power | : 74,5 kW, 100 HP (2200 rpm) |
| Maximum Torque | : 410 Nm (1 400 rpm) |

High power and torque output, water cooled turbocharged diesel engine.
Compatible with USA EPA Tier 3 and European EC Stage III-A exhaust gas emission regulations

TRANSMISSION

- Autoshift transmission for heavy duty service
- Torque converter with 2,38:1 stall ratio
- Electrically controlled 2 Wheel drive or 4 Wheel Drive selection
- 6 forward, 3 reverse gears (Lock-Up option available)
- Transmission oil cooler
- A neutral circuit allows starting only when the control lever is in neutral position for safety.

AXLES

- Heavy duty service type ZF axles
- Planetary outboard type reduction gears
- Total 16 degrees oscillation on the front axle
- Equipped with LSD (Limited Slip Differential) and differential lock

TIRES

| | |
|-------|--|
| Front | : 16/70 - 20 12 Ply Rating |
| Rear | : 16,9 - 28 12 Ply Rating (Optional : 18,4- 26 12 Ply Rating) |

CAB & HOOD

- Widened visual angle
- Ergonomic & Aesthetic Interior Design
- 3" LCD displays on both front and side panels
- High capacity A/C system
- Improved ventilating with 15 air nozzles
- ROPS and FOPS certificated cab
- Multi-functional seat
- TOPSHIFT front loader joystick
- Pool type floor mats
- Removable lids
- Cooling-box
- Storage boxes for operator
- Foldable side steps

HYDRAULIC SYSTEM

Simple, reliable and high-efficient tandem gear pump

| | |
|---------------------|------------------------|
| Main Pump Flow | : 90 lt/min (2200 rpm) |
| Pressure | : 227 bar |
| Auxiliary Pump Flow | : 57 lt/min (2200 rpm) |
| Pressure | : 190 bar |

DRIVING SPEED

At 2200 rpm engine speed

| | | |
|----------------------|--------|------|
| 1 st gear | : 5,6 | km/h |
| 2 nd gear | : 8,9 | km/h |
| 3 rd gear | : 11,4 | km/h |
| 4 th gear | : 18,1 | km/h |
| 5 th gear | : 24,1 | km/h |
| 6 th gear | : 40 | km/h |



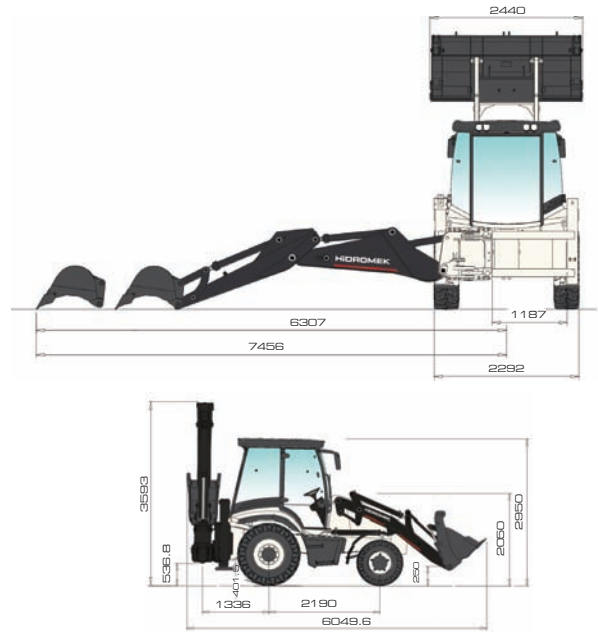
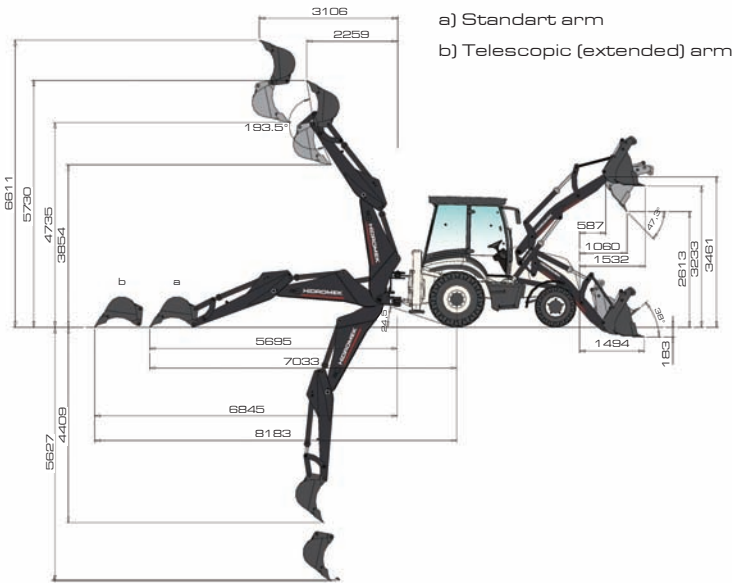
FILLING CAPACITIES

| | | |
|-------------------------|------------|----|
| Engine Oil Pump | : 8 | lt |
| Engine Cooling System | : 18,5 | lt |
| Fuel Tank | : 140 | lt |
| Hydraulic Oil Tank | : 70 | lt |
| Transmission Oil | : 16 | lt |
| Front Axle Differential | : 9 | lt |
| Front Axle Hub Reducers | : 0,85 x 2 | lt |
| Rear Axle Differential | : 17 | lt |

OPERATING WEIGHT

Operating weight (with standard equipment) : 9.100 kg


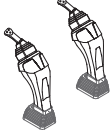

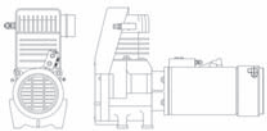
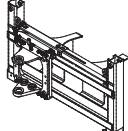

HMK102B ALPHA



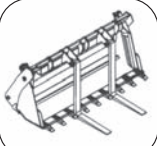
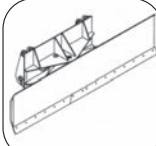

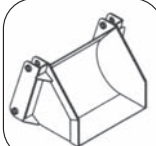
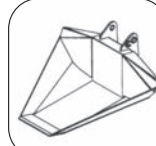





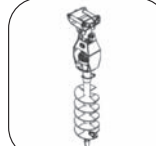
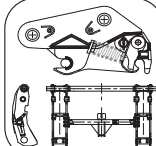
| LOADER PERFORMANCE | |
|--|------|
| 6 in 1 bucket capacity (m ³) | 1,1 |
| Max. bucket breakout force (kgf) | 7209 |
| Max. loading arm breakout force (kgf) | 6515 |
| Lifting capacity to maximum height (kg) | 3170 |

| BACKHOE PERFORMANCE | Standard Arm | Telescopic Arm (extended) | Telescopic Arm (retracted) |
|-----------------------------------|--------------|---------------------------|----------------------------|
| Bucket capacity (m ³) | 0,17 | 0,17 | 0,17 |
| Max. bucket breakout force (kgf) | 6209 | 6364 | 6364 |
| Max. dipper breakout force (kgf) | 2983 | 2026 | 2867 |

Optional Accessories

| | | |
|---|---|--|
|  MSS (Motion Stabilizer System) |  Joystick |  Hydraulic breaker inst. + Telescopic arm |
|  Air Compressor |  Powerslide |  Air conditioner |

Optional Attachments

| | | | | | |
|---|---|--|--|---|--|
|  6-in-1 Bucket with forks |  Grading blade |  Timber grab |  Special buckets |  Trapezoidal ditch bucket |  Ripper |
|  Offset bucket |  Clamshell grab |  Backhoe bucket of different sizes |  Hydraulic breaker |  Auger |  Quick coupler |

HIDROMEK®

FACTORY - HEAD OFFICE
 Ayas yolu 25. km 1. Organize Sanayi Bölgesi Osmanlı Caddesi No: 1
 06936 Sincan / ANKARA / TURKEY
 Phone: (+90) 312 267 12 60 Fax: (+90) 312 267 21 12
 www.hidromek.com

Notice:
 HIDROMEK has the right to modify the specifications and design of the model indicated on this brochure without prior notice.